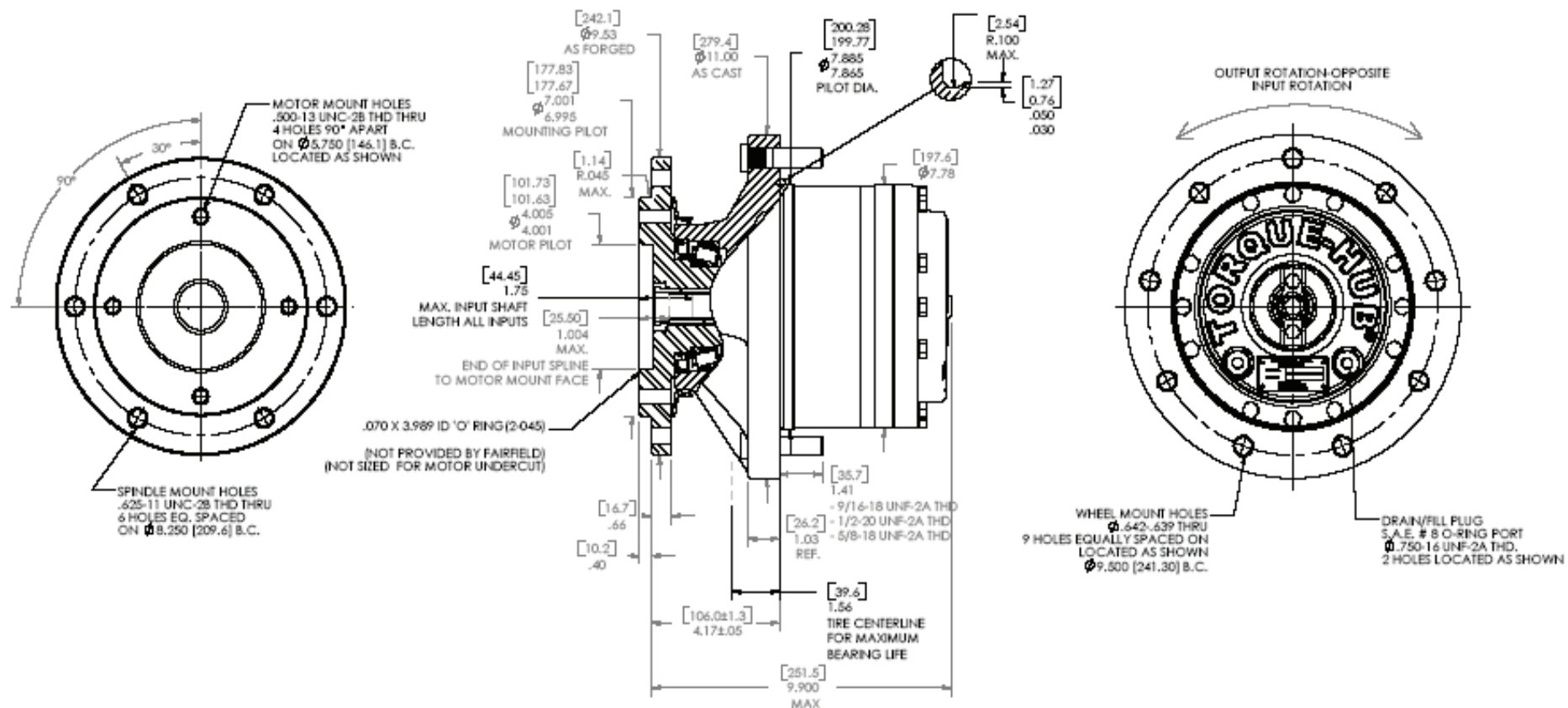


1 Series

W1BF

Application Sheet

TORQUE-HUB.
Planetary Final Drives



æerlikon
fairfield

Catalog prints are representative of the units.
Before final design request a certified print from Fairfield.

NOTE: MM SHOWN IN ()
MOTOR CAVITY DIMENSIONS VARY WITH MODEL

OTHER MODELS ALSO AVAILABLE
FAIRFIELD BRAKE AVAILABLE

SHOP ONLINE at www.airlinehyd.com

800-999-7378

W1BF

Torque-Hub® 1 Series

Performance Data

Continuous	Intermittent	Peak
15,000 lb-in	30,000 lb-in	40,000 lb-in
1,250 lb-ft	2,500 lb-ft	3,333 lb-ft
1,690 Nm	3,381 Nm	4,508 Nm
172 kg-m	345 kg-m	460 kg-m

For ultimate torque and horsepower capacities, contact a Torque-Hub® representative.

Speed Limitations

Input Speed: 4,000 RPM Maximum Intermittent
Horsepower: Contact Fairfield

Weight

Approximately 90 lbs (41 kg)

Note: Specific models will change weights.

W1BF Model Formula

W 1 BF F 0 3 24 X

W – Torque-Hub® Wheel Drive

1 – Series

Stud

- 0** – Not Included
- F** – 5/8-18 by 2.437 in.
- N** – 1/2-20 by 2.437 in.

Input

3 – 13T, 16/32 Spline

Seal Boot

- 0** – Blank
- Z** – Included

Special Features

X – Antidisengage (spacer placed in coupling)

Reduction

- 18** – 18.25:1
- 24** – 24.85:1
- 30** – 30.05:1
- 35** – 35.13:1
- 40** – 40.25:1
- 49** – 49.29:1
- 60** – 59.50:1
- 68** – 68.00:1



Fairfield Manufacturing Company, Inc.
 First in Custom Gears and Drive Systems
www.fairfieldmfg.com

Oil

Fill to half full with EP-90 oil on most applications.

Approximate Volume 17 oz. (503 cm³)

Note: Oil level and type will vary with specific model and application.

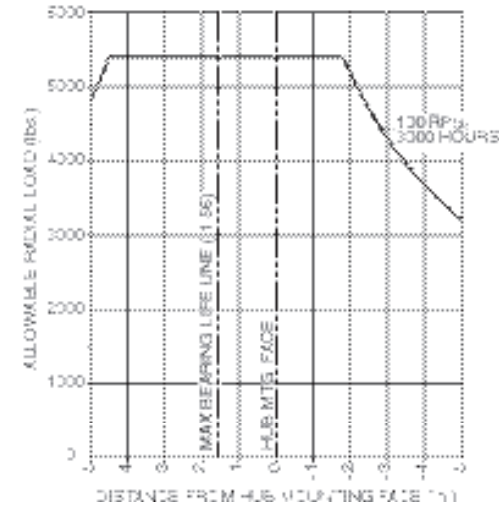
Conditions of Bearing Curve

Life = 3,000 hours B-10
Speed = 100 RPM output

To adjust for loads and speeds other than shown on curve:

$$\text{Adjusted Life (hrs)} = 3,000 \left(\frac{100 \text{ RPM}}{\text{Speed (Adjusted)}} \right)^x \left(\frac{\text{Load (Curve)}}{\text{Load (Adjusted)}} \right)^{10/3}$$

Bearing Curve



		Spindle			Hub	
	Motor Mount	Flange Mounting Dia.	Motor B.C.	Frame B.C.	Mounting Dia.	Flange B.C.
BF	SAE "B"	7.000 6.995	(4) 1/2-13 5.750 B.C.	(6) 5/8-11 8.250 B.C.	7.885 7.865	(9) .642/.639 thru 9.500 B.C.
BD	SAE "B"	7.000 6.995	(4) 1/2-13 5.750 B.C.	(6) .671/.653 8.250 B.C.	7.885 7.865	(9) .642/.639 thru 9.500 B.C.