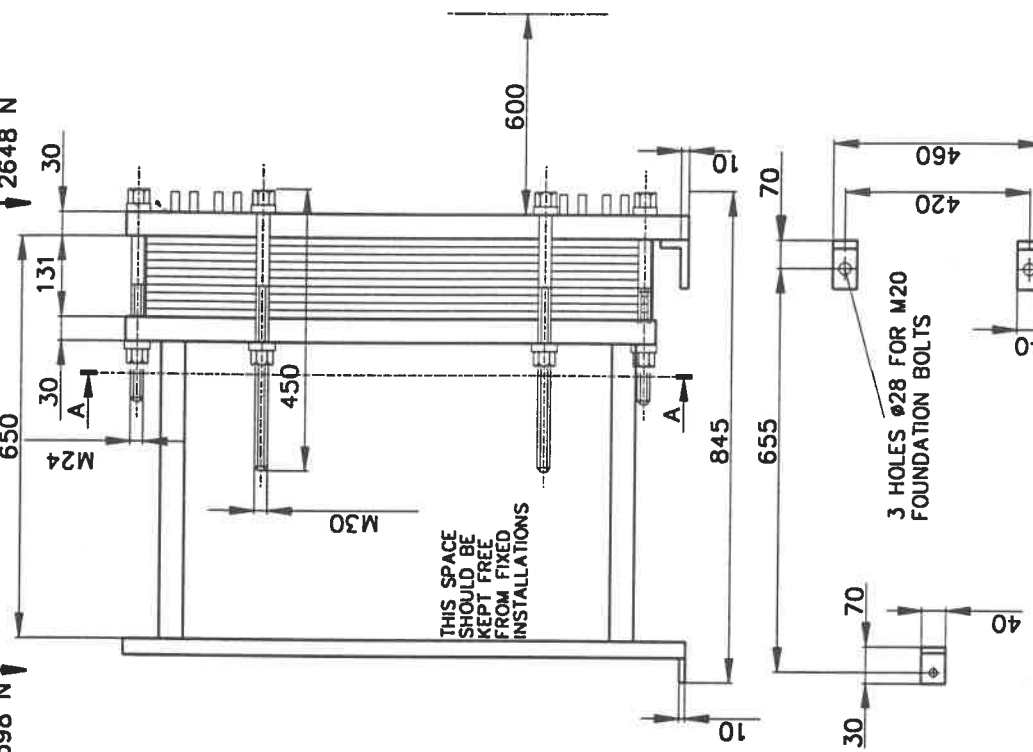
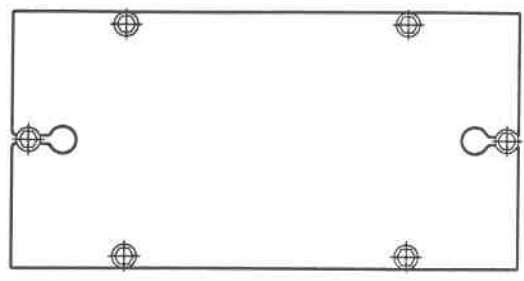


FRAME PLATE (FIXED)
 470
 225
 600
 600
 1084
 719
 215
 120
 S1
 S2
 S3
 S4

FRAME PLATE (MOVABLE)
 SECTION A-A

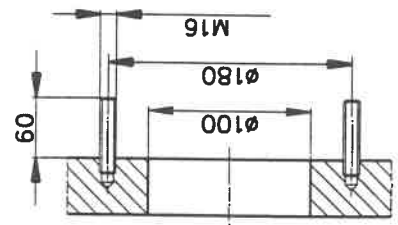


DN	PN	DIN
S1/S2	100	10 2501
S3/S4	100	10 2501

NRBB CLIP-ON
 GASKET
 PLATE MATERIAL AISI 304
 PLATE THICKNESS 0.40 mm
 HEATING SURFACE 6.16 m²
 PLATE GROUPING 1*15 L/1*14 L

REMARKS
 SIDE A/B
 TEST PRESSURE 7.5 BAR
 DESIGN PRESSURE 5.0 BAR
 MAX TEMPERATURE 90 °C
 MIN TEMPERATURE 0 °C
 NET WEIGHT 303 kg

CONNECTION STANDARD
 DIN 2501 PN10
 UNLINED CONN.
 S1,S2,S3,S4



SIDE	MEDIA	INLET	TEMP. °C	OUTLET	TEMP. °C	FLOW RATE m ³ /h	PRESSURE DROP kPa	LIQUID VOL. l
A	50.0% Eth.glycol	S1	88.0 °C	S2	82.7 °C	84.00 m ³ /h	58.79 kPa	15.0 l
B	Water	S3	36.0 °C	S4	75.9 °C	10.00 m ³ /h	1.073 kPa	14.0 l

SUPPLIER TH-SU	REF. T515165	MP NO. 515165
AGENT / REF. ALFA LAVAL GLINDE / C931016088-20/8153233102		
CUSTOMER / REF. ZEPPELIN Baumaschinen Gmb		
PREPARED EH		

PLATE HEAT EXCHANGER
M10 - MFM
 LLOY

ALL DIMENSIONS IN MILLIMETERS

SERIAL NO. 30103-47505/-47506
DATE 020626
REV NO. 1